

FXSOLAR Ground Terrace I

FXSOLAR Ground Terrace I (GT I) is a galvanized steel solar mounting system which is customizable and ideal for large scale solar PV projects. Working with ground screws or concrete bases, GT I will fit into various ground conditions. The patented design of structure and accessories makes the mounting system stronger and the installation quicker.



FXSOLAR Ground Terrace I

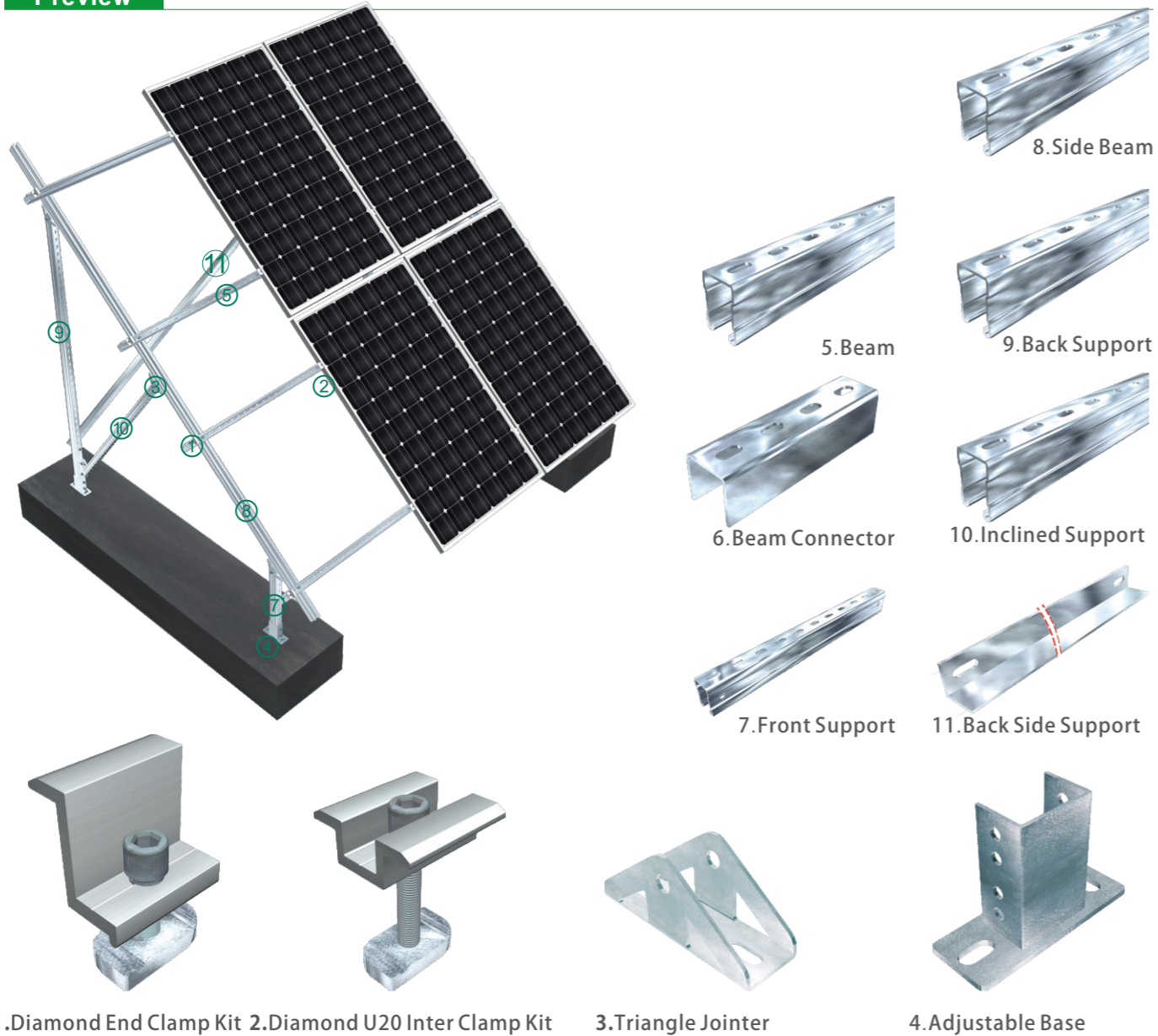
Technical Parameters

Installation Site	Ground	Wind Load	60m/s
Foundation	Concrete Base or Ground Screw	Snow Load	1.6KN/M2
Tilt Angle	5-60°	Module Orientation	Portrait or Landscape
Applicable Module	Framed or Frameless	Material	Steel Q235B (Hot-Dip Galvanized)
Design Standard	AS/NZS 1170, DIN 1055, JIS C 8955: 2011 International Building Code: IBC 2009 California Building Code: CBC 2010		
Fastener	Steel (Dacromet Coated)	Color	Silver
Small Components	Aluminum Al6005-T5 (Anodized)	Warranty	10 Years

Advantages

1. The structure can be designed to support 2~5 rows of solar modules to adapt to large scale projects;
2. The galvanized steel material makes this solution cost-effective while ensuring high structural strength;
3. GT I can work with ground screws or concrete bases for various installation requirements.

Preview



1. Diamond End Clamp Kit 2. Diamond U20 Inter Clamp Kit 3. Triangle Jointer 4. Adjustable Base

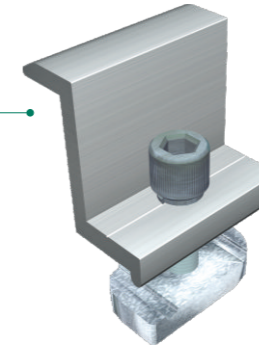
Component List

No.	Item	No.	Item	No.	Item
01	Diamond End Clamp Kit	05	Beam	09	Back Support
02	Diamond U20 Inter Clamp Kit	06	Beam Connector	10	Inclined Support
03	Triangle Jointer	07	Front Support	11	Back Side Support
04	Adjustable Base	08	Side Beam		

Component Details

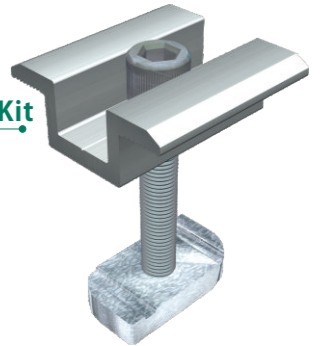
FX-EC-D
Diamond End Clamp Kit

End Clamp
Rhombus Nut M8
Spring Washer M8.4
Hexagon Socket Head Bolt



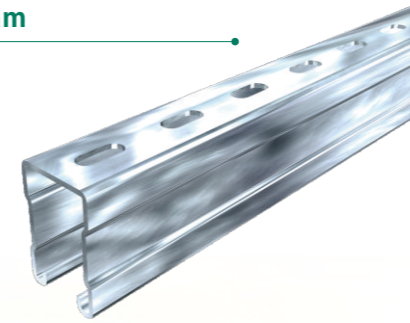
FX-IC-D
Diamond U20 Inter Clamp Kit

U20 Inter Clamp
Rhombus Nut M8
Spring Washer M8.4
Hexagon Socket Head Bolt



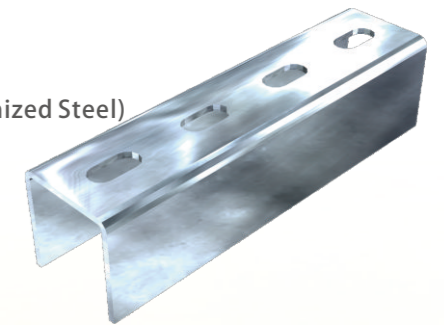
FX-MB-ST Beam

Specifications:
C41*41*2*L
C41*41*2.5*L
C41*52*2*L
C41*52*2.5*L
C41*62*2*L
C41*62*2.5*L



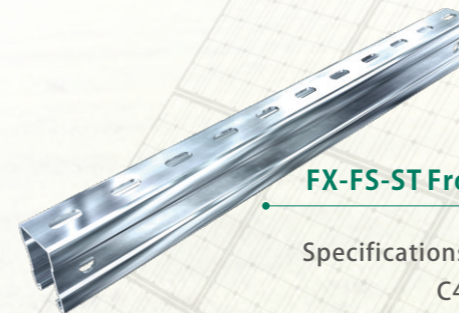
FX-BC-ST Beam Connector

Specifications: L200
Material: Steel Q235B
(Hot-Dip Galvanized Steel)



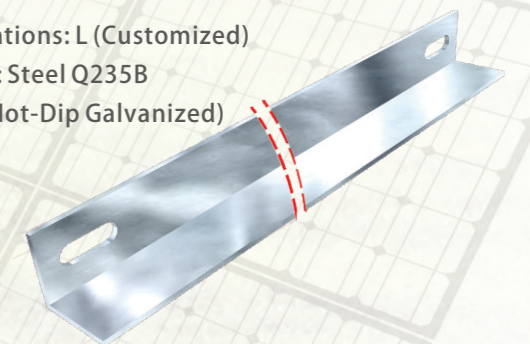
FX-FS-ST Front Support

Specifications: C41*41*2*L
C41*41*2.5*L
C41*52*2*L
C41*52*2.5*L
C41*62*2*L
C41*62*2.5*L



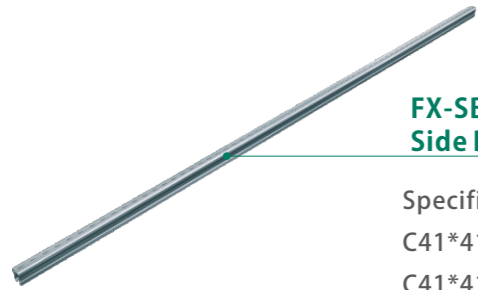
FX-GT1-AA Back Side Support

Specifications: L (Customized)
Material: Steel Q235B
(Hot-Dip Galvanized)



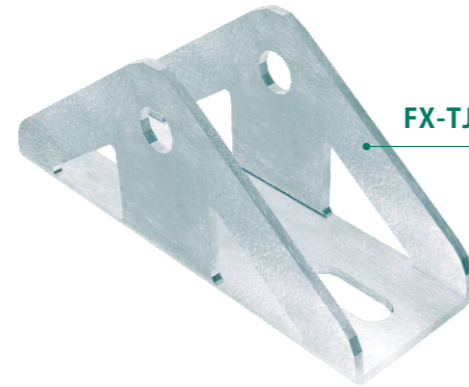
FXSOLAR Ground Terrace I

Component Details



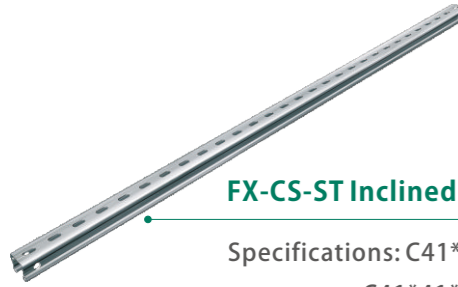
FX-SB-ST Side Beam

Specification:
 C41*41*2*L
 C41*41*2.5*L
 C41*52*2*L
 C41*52*2.5*L
 C41*62*2*L
 C41*62*2.5*L



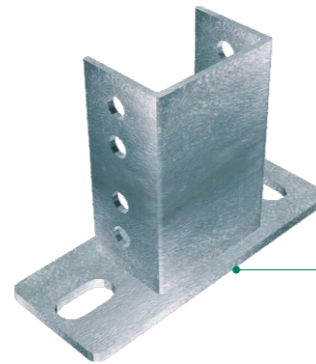
FX-TJ-ST Triangle Jointer

Specifications:L150



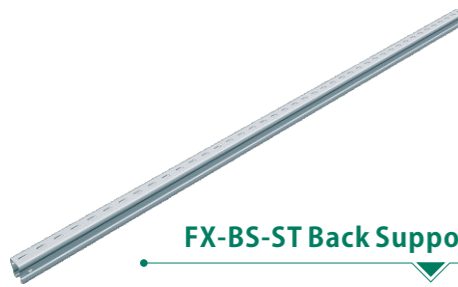
FX-CS-ST Inclined Support

Specifications: C41*41*2*L
 C41*41*2.5*L
 C41*52*2*L
 C41*52*2.5*L
 C41*62*2*L
 C41*62*2.5*L



FX-AS-ST Adjustable Base

Specification: L180
 Material: Steel Q235B
 (Hot-Dip Galvanized)

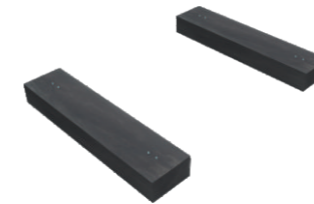


FX-BS-ST Back Support

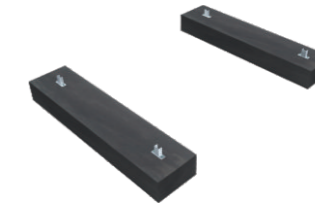
Specifications: C41*41*2*L
 C41*41*2.5*L
 C41*52*2*L
 C41*52*2.5*L
 C41*62*2*L
 C41*62*2.5*L

FXSOLAR Ground Terrace I

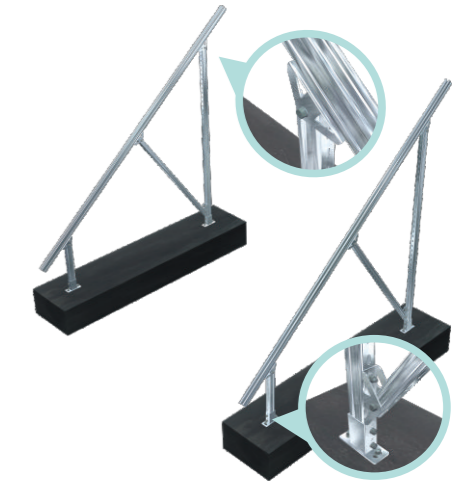
Installation Guide



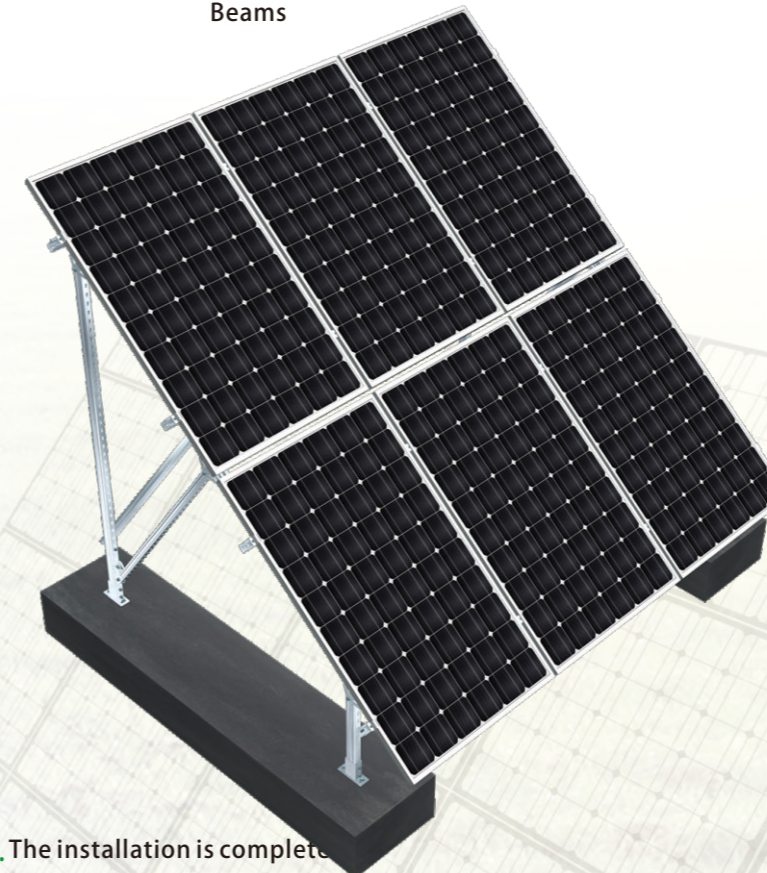
1. Make concrete bases with embedded bolts according to the solution drawing



2. Fasten Adjustable Bases to the embedded bolts on concrete bases



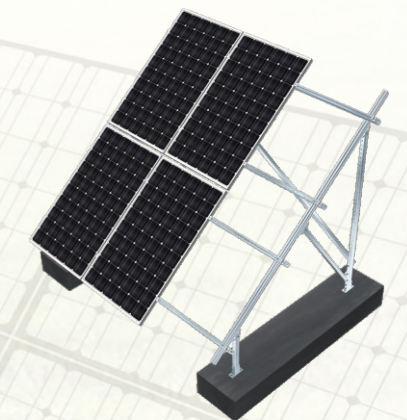
3. Connect Front Supports and Back Supports to Side Beams



4. Connect the assembled Front Supports, Back Supports and Side Beams to Adjustable Bases; and then install Inclined Supports



5. Install Beams



6. Install modules onto Beams with Diamond End Clamp Kits and Diamond U20 Inter Clamp Kits

7. The installation is complete.